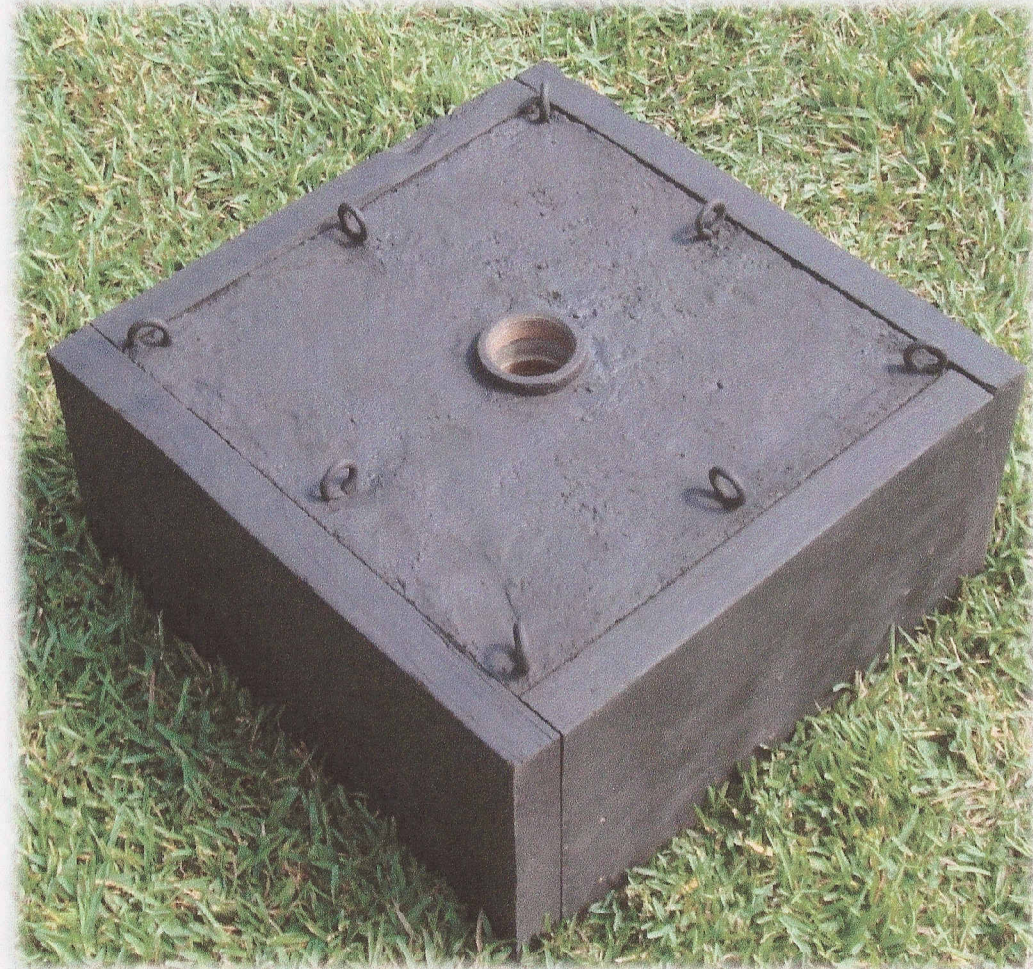


Portable Hole

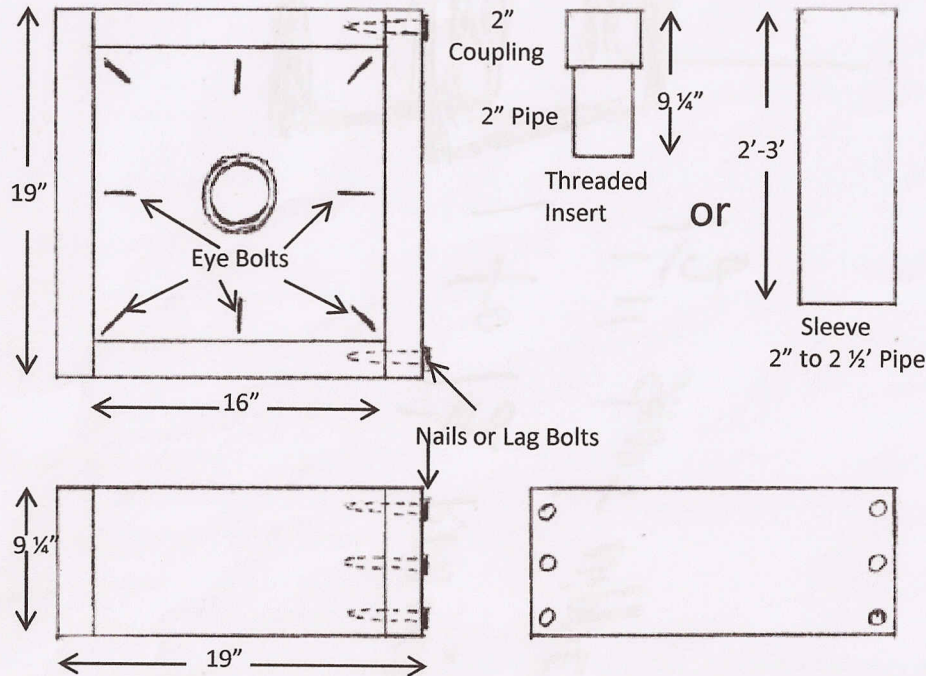


The Portable Hole is a contained block of concrete with a way of screwing a pole into the top and is capable of being tethered to the ground or having an extended footprint attached.

Walter Monkhouse

www.MagicChristmas.org

Portable Hole



- * Form made from 2 X 10 treated lumber
- * Fasten together with nails or lag bolts
- * Put threaded insert or sleeve in center
- * Fill with Quikcrete concrete mix (about 1.5 cu. Ft.)
- * Put eye bolts in concrete near edges for tethering
- * Hole will weigh approx. 200 lbs.

Notes

Using 2 X 10 lumber makes a durable form and allows extended footprint to be attached.

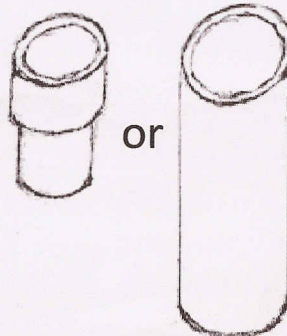
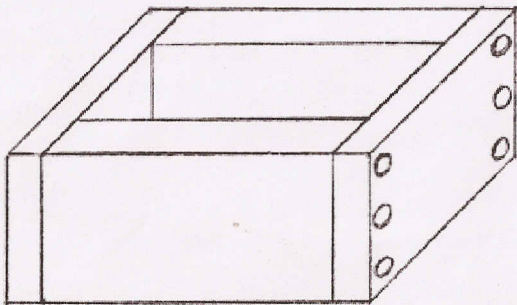
Quikcrete comes in 80, 60 and 40 lb. bags.

80 lb. bag = .6 cu ft

60 lb. bag = .45 cu ft

40 lb. bag = .3 cu ft

8 Eye Lags
or
Eye Bolts



Portable Hole

Material List and Price List

Wood--2" X 10" X 8' Treated.....	\$5.52
Nails.....	2.00
Quickrete 3-80# Bags.....	11.04
2" Coupling.....	8.00
2" Pipe 6"-7".....	8.00
5/16" X 6" Eye Bolts (8).....	11.12
Total	\$45.68